

# PY-5500

RFID & MIFARE® 2000 125kHz

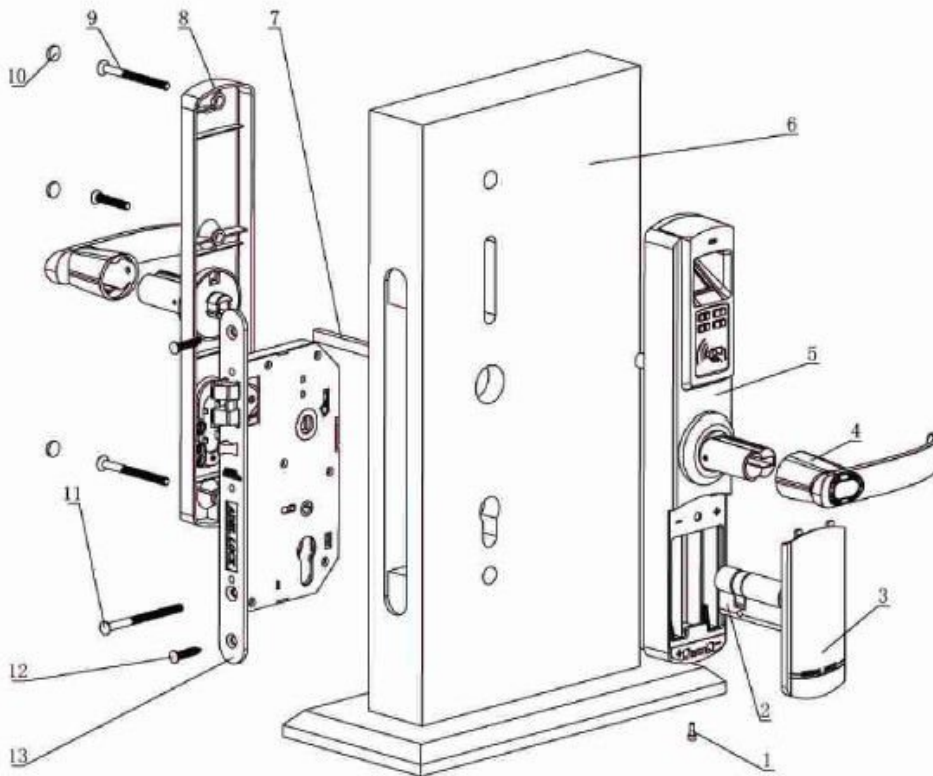
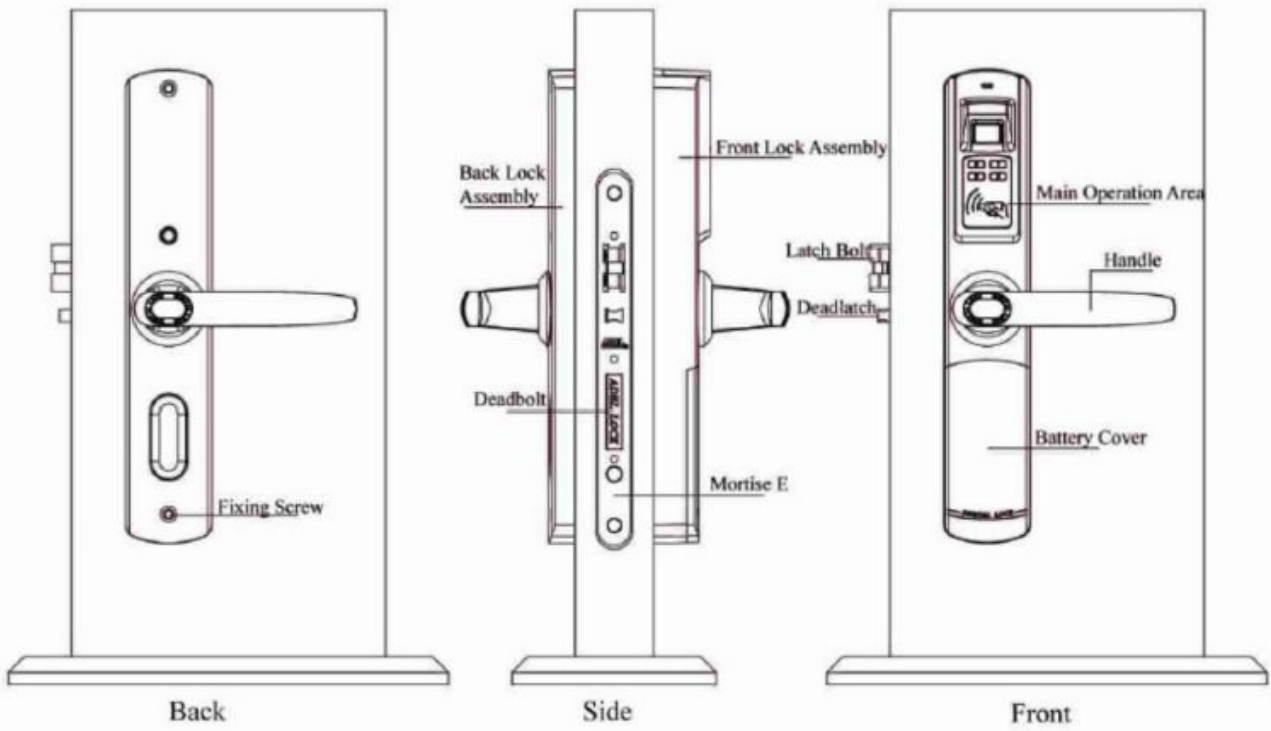
RFID

- MIFARE®
- 
- 
- MIFARE® / MIFARE®
- 2000 200
- 1 50
- 12
- 
- 
- 
- 
- MIFARE®

RFID  
6.0V 45  
<100μA  
<200mA  
10  
4.5V  
> 25mm  
0°C 70°C  
≤80

RFID

● Part Name



**Part Name:**

1. Hexagonal screw (M3\*8)
2. Cylinder
3. Battery cover
4. Handle
5. Front lock assembly
6. Door
7. Square shaft
8. Back lock assembly
9. Fixing screw (M5)
10. Screw cover
11. Cylinder fixing screw (M5\*70)
12. Wood screw (M4\*25)
13. Mortise





